

**TOMORROW'S
MANUFACTURING
LEADERSHIP
TODAY**

Technical Bulletin

Bulletin Number: 296 Revision Number: R-01
Release Date: August 21, 1985 Revision Date: June 17, 1992

SUBJECT: Convert the Coke Big Button sequencing columns 1 and 2 to sequence columns 2 and 5.

MODELS AFFECTED: Pre-Series 90 DNCB 440, 368 and 320 seven (7) select Coca-Cola venders.

REASON: To allow one wide and one narrow column to sequence instead of two wide columns.

SERIAL NUMBER BREAK: For venders prior to 0001-3162.

EXCEPTIONS: Venders built on production runs 3164, 3166 and 3167 can use the Conversion Kit. Venders serialized 1954-3161AO to 2003-3161AO and 2656-3161 to 2705-3161AO **can not** use the Conversion Kit.

ORDER AS: B267,014,200.03 - Sequencer Conversion Kit

KIT CONSISTS OF: 2 red and 2 white, 3-way switch Pods with Jumper Wires installed.

- TO INSTALL:**
1. Unplug vender.
 2. All work is done in the Sold Out Switch area. Remove Sold Out Switch cover.
 3. Refer to attached wiring diagram and follow these steps:
 - A. Remove the red and white 3-way terminal pods of the existing harness from the Sold Out Switches on column 1 and column 5. Point the open end of the connectors from column 1 toward column 5 and the open end of the connectors from column 5 toward column 1.
 - B. Plug the new 3-way terminal pods with jumper wires, on column 1 and column 5 Sold Out Switches according to the the diagram on page 2.

Page 1 of 2

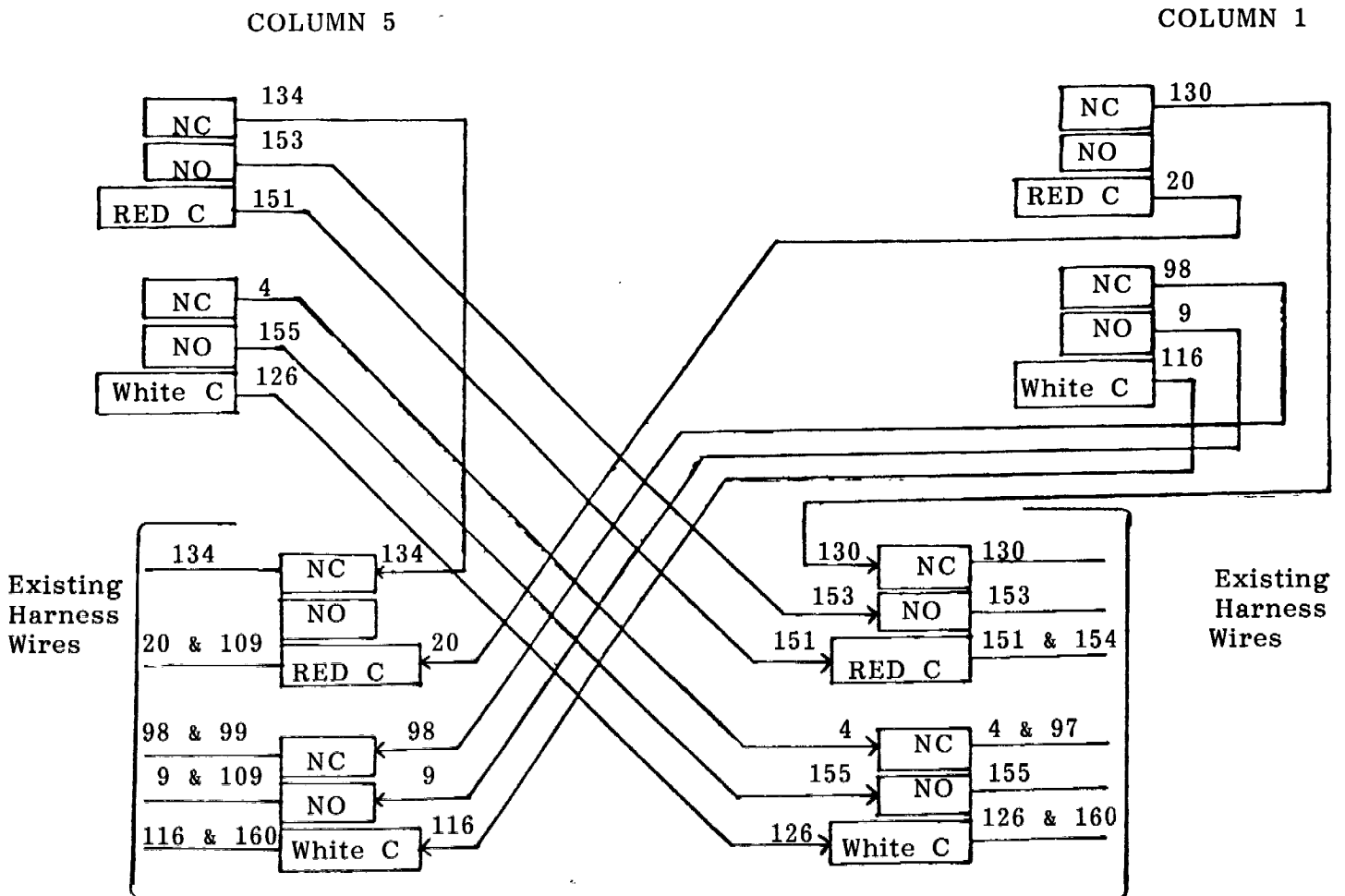
C. Run the jumper wires and push the tabs into the old 3-way terminal pods removed on step 3A as shown on the diagram on page 2.

4. Plug in the vender and test for proper operation.

5. Coke Big Button should now operate columns 2 and 5. Select button 5 should now operate column 1.

NOTE: If different Select Switch arrangement is desired, for example, Big Button operating column 1 and select switch 5 operating columns 2 and 5. Refer to Service Bulletin 293.

**MODELS: PRE-SERIES 90 COCA-COLA
DNCB 440/252-7, 368/216-7 & 320/184-7
NEW TERMINAL PODS WITH JUMPERS**



OLD TERMINAL PODS WITH HARNESS WIRES